

Description: E27 HEAVY BRASS SLEEVE

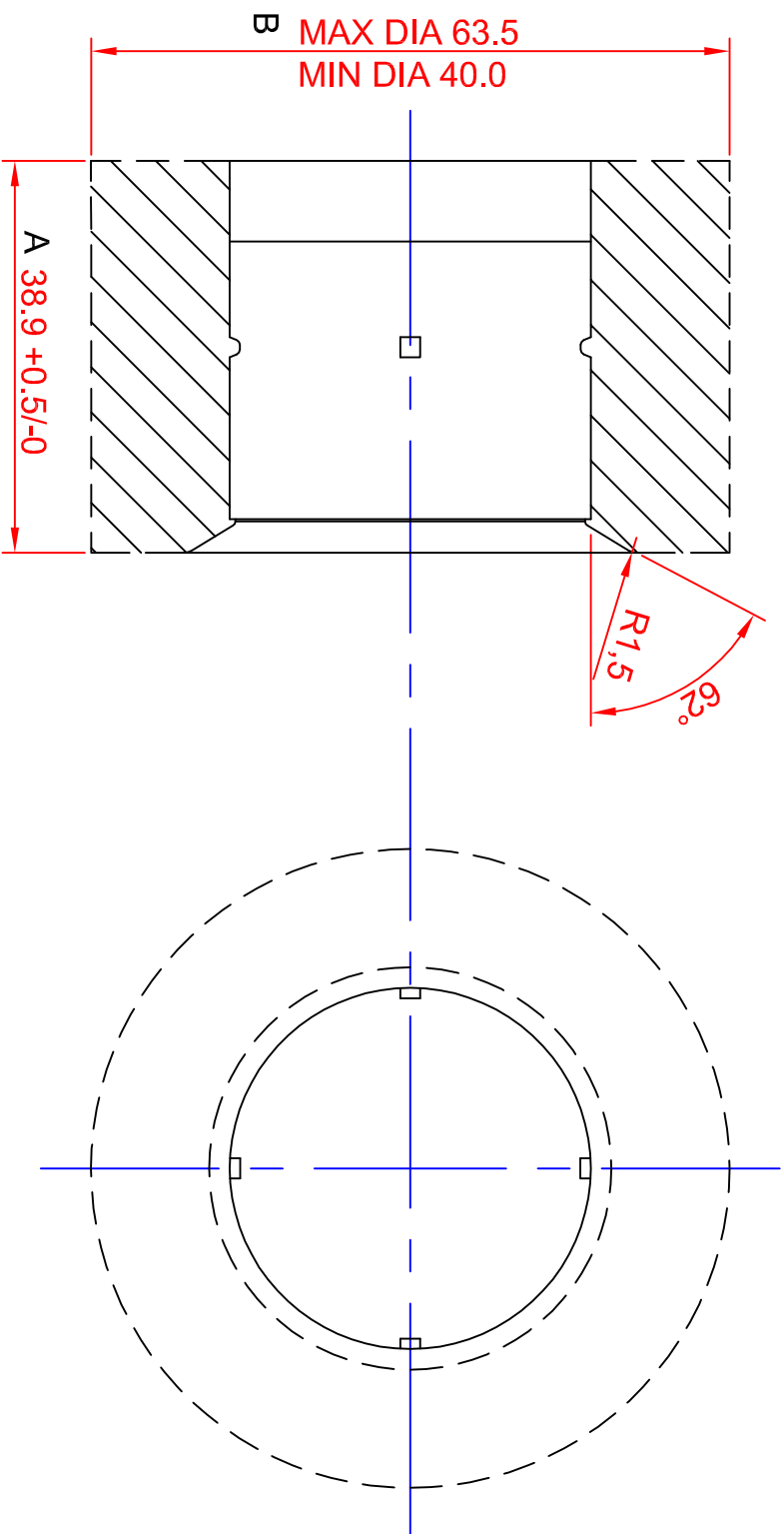
Drawing/Product No:

Issue No.:

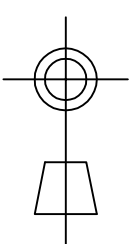
TWO

E27 DOME OPTIONS	
7700E - CORD GRIP	
7701E - M10/1	
7702E - 1/2"/26	
7703E - M13/1	
7704E - 5/8"/26	
7705E - M16/1	
7706E - M20/1	
7707E - 2" BATTEN	
7709E - 3/8" BSP	
FINISHES ( Suffix in ( ) )	
BRASS	
CHROME (C)	
OLD ENGLISH (H)	
NICKEL (N)	
BRONZE (Z)	

**PLEASE INDICATE  
OPTIONS REQUIRED  
BY PUTTING QUANTITIES  
IN BOXES ABOVE**



**THE SHAPE OF THE DESIGN YOU PRODUCE ALONG  
(A) MUST BE WITHIN THE SHADED AREA OF  
DIMENSION (B).**



Issue No.	Original/Changed To	Date	Initial
ONE TWO	ORIGINAL DIMENSION CHANGES OVERALL LENGTH, END APERTURE AND ADDITION OF RADIUS	15/01/2018 6/4/18	CL CL

THIS DRAWING AND THE SUBJECT MATTER DISCLOSED THEREIN, EMBODY PROPRIETARY INFORMATION WHICH IS THE CONFIDENTIAL PROPERTY OF S. LILLEY & SON LTD. NONE OF WHICH SHALL BE COPIED, REPRODUCED, DISCLOSED TO OTHERS, PUBLISHED, OR USED IN WHOLE OR IN PART, FOR ANY PURPOSE, WITHOUT THE EXPRESS ADVANCE WRITTEN PERMISSION OF A DULY AUTHORISED AGENT OF THE COMPANY. THIS DRAWING IS SUBJECT TO RECALL BY THE COMPANY AT ANY TIME.

Tolerance:	±0.2mm UOS	Scale:	0 5 10
Material:	BRASS CW614N	Dimensions:	mm
Date:	6/4/2018	Drawn by:	C. LILLEY

**S. LILLEY & SON LIMITED**

80 Alcester Street Birmingham B12 0QE Tel: 0121 622 2385 Fax:0121 666 6148